

66" X 36" X 22" - RECTANGLE - 1 PERSON

FREDERICK (J-52)

AFFINITY COLLECTION

THE FLAT LIP DESIGN AND ROOMY BATHING WELL MAKE THE FREDERICK AN EXCELLENT CHOICE FOR YOUR PERSONAL SPA RETREAT.

OPERATING GALLONS (APPROX.):

- Regular Usage - 55 gal.

FEATURES:

- 10 flush mounted jets including:
 - 2 back jets oposite the drain
 - 4 body jets on each side
- 1.5 B.H.P. pump - 7.5 Amps
- Suitable for drop in or undermount applications
- High gloss / high impact acrylic in standard colors
- Totally insulated with polyurethane foam
- Passive warm air induction system
- Gravity flow draining for sanitary bathing
- 10-year limited factory warranty
- Anti-microbial flex piping
- Rebar reinforcement
- Extra thick glassing
- Pre-leveled lip
- Slip resistant bottom
- Energy efficient
- Noise absorption



OPTIONS AVAILABLE:

- Soaker model (non-jetted)
- Air option with LED light
- Air/whirlpool combination model
- Mood or LED lights
- Bath waste & overflows
- Decorator colors
- Contoured neck support pillow

COLORS AVAILABLE:

- White, Bone, Biscuit (Standard Colors)
- Sandbar, Mexican Sand, Black, Ice Grey (Decorator Colors)

TRIM KIT FINISHES AVAILABLE:

- White
- Biscuit
- Polished Chrome



Jetta guarantees that the water temperature in our insulated whirlpool baths will stay within 2 degrees of its original temperature after 30 minutes of use. Our fully insulated whirlpool and soaker baths with low density foam insulation and passive warm air induction systems help keep you warmer, longer.



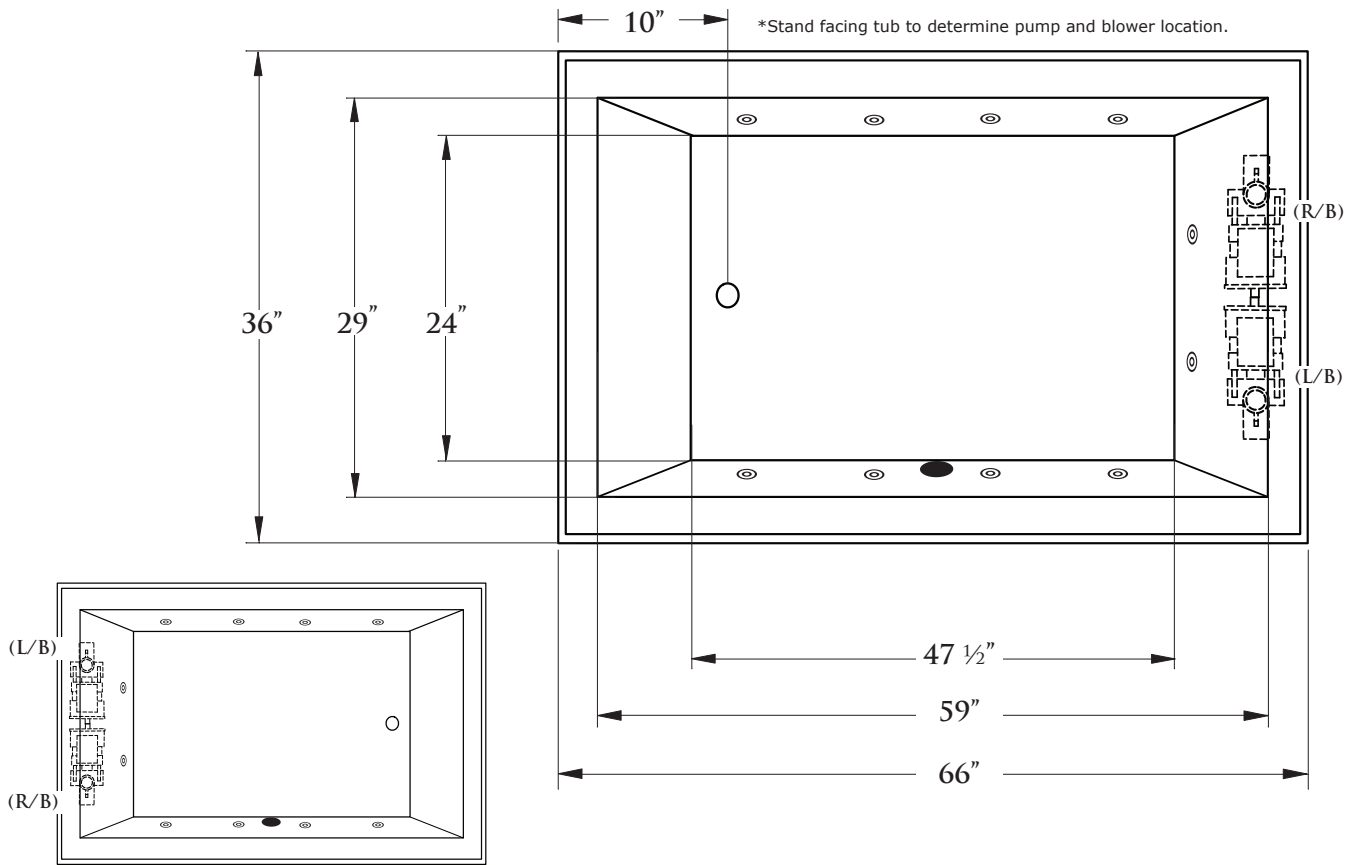
JETTA

TO ORDER OR FOR MORE INFORMATION, CALL 1-800-288-7771 FOR THE AUTHORIZED REPRESENTATIVE IN YOUR AREA

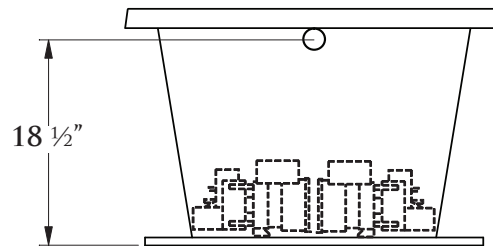
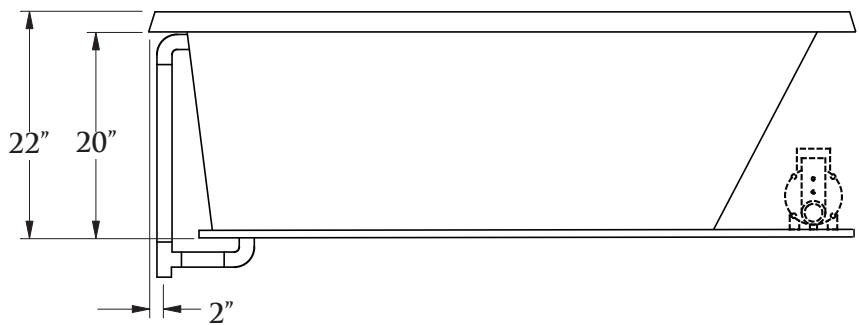
FREDERICK (J-52)

66" X 36" X 22"

JETTA CORPORATION TECHNICAL SPECIFICATIONS



*Stand facing tub to determine pump and blower location.



Electrical Specifications:

Required Electrical Service 110/115 Volts
 Standard Whirlpool 20 amp GFI
 Air Option 20 amp GFI
 Each pump and/or blower must be protected by a dedicated GFI breaker (refer to local codes).

Codes/Standards Applicable:

Specified model meets or exceeds the requirements for the following standards:
 UL Listed, ANSI, ASME, IAPMO

Suggested Pump & Blower Access Panel:

Suggested access size 20" x 12".
 Actual size may vary depending on distance of access to pump & blower location.

Drop-In Cut Out Dimension:

Subtract 1" from width and length dimensions.
 Actual cut out dimension 65" x 35"

Shipping Weight: 310 lbs.



*L/B, R/B pump position determines suction location.
 Separate location is required for air blower.

Installation: Measure tub before building tub deck. For best results, Jetta Corporation recommends 1"-3" of mortar bedding under the tub base for maximum support. Drawing shows manufacturer's standard pump location(s). Contact Jetta for details. Dimensional variance on drawings may be +/- 1/2 inch and are subject to change without notice.

